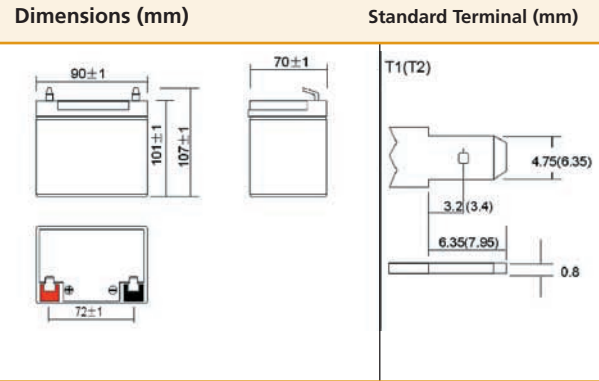
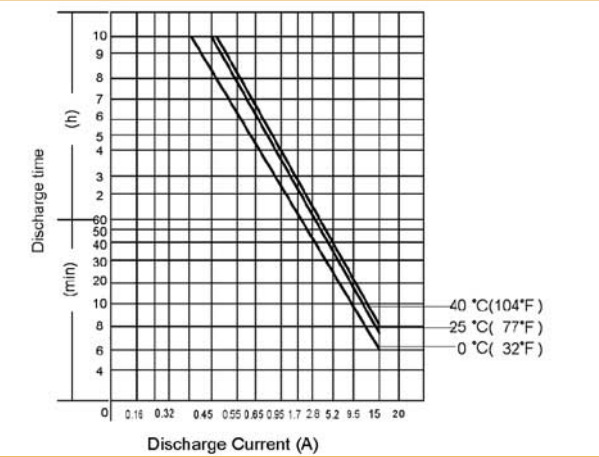




CT 5-12



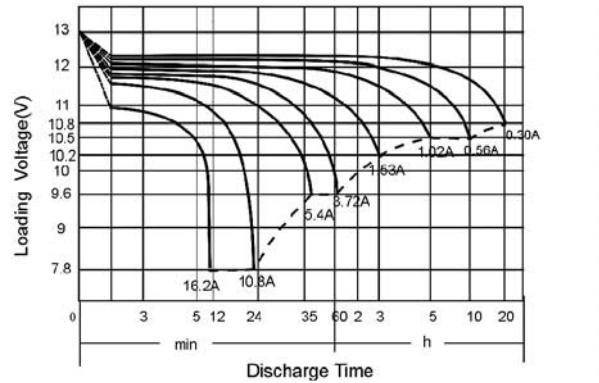
Discharging Current & Discharge Duration Time



Physical Specification		
Nominal Voltage		12V
Nominal Capacity (20HR)		5.4AH
Dimension	Length	90 ± 1mm (3.54 inches)
	Width	70 ± 1mm (2.76 inches)
	Container Height	101 ± 1mm (3.98 inches)
	Total Height (with Terminal)	107 ± 1mm (4.21 inches)
Weight		Approx 1.9kg (4.19lbs)
Standard Terminal		T1 or T2(standard)

Electrical Specification					
Rated Capacity	20 hour rate (300mA)	6.0AH	Constant Voltage	Cycle	Initial Charging Current less than 1.6A. Voltage 14.4V~ 15.0V at 25°C (77°F) Temp. Coefficient -30mV/°C
	10 hour rate (560mA)	5.6AH			
	5 hour rate (1.02A)	5.1AH			
	1 hour rate (3.72 A)	3.72AH			
	15minute rate (11.76 A)	2.94AH			
Capacity affected by Temperature	40°C (104°F)	103%	Charge	Standby	No limit on Initial Charging Current Voltage 13.5V~13.8V at 25°C(77°F) Temp. Coefficient - 20mV/°C
	25°C (77°F)	100%			
	0°C (32°F)	86%			

Discharge Characteristics (25°, 77°F)



Constant Current (Amp) and Constant Power (Watt) Discharge Table (25°, 77°F)

Time(minute) Final voltage/Cell	5	10	15	20	30	45	60	120	180	300	600	1200
Amp/Watt/Cell	1.3	1.3	1.3	1.3	1.6	1.6	1.67	1.7	1.75	1.75	1.75	1.8
A	24.00	17.10	11.76	9.60	6.90	4.80	3.72	2.10	1.53	1.02	0.56	0.30
W	42.96	32.16	22.38	18.87	13.56	9.54	7.38	4.18	3.04	2.04	1.12	0.60