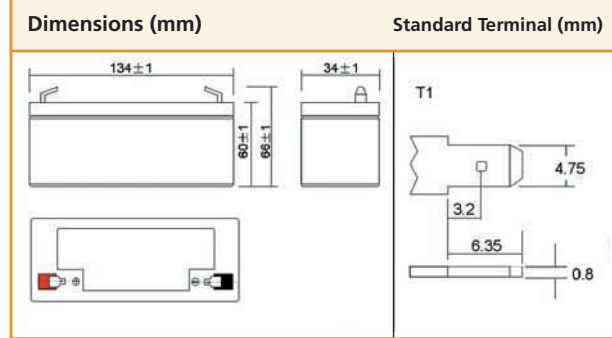
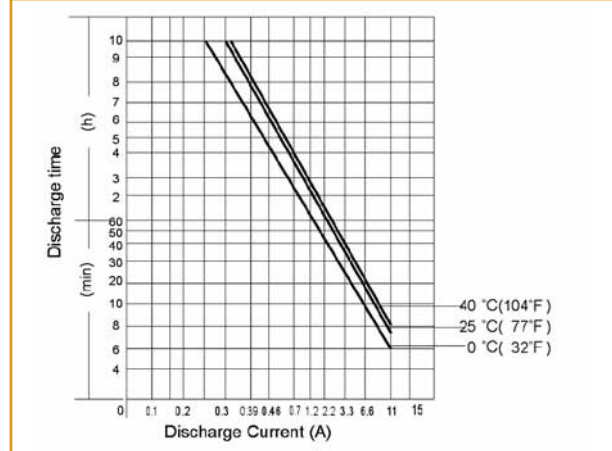




CT 3.4-6



Discharging Current & Discharge Duration Time



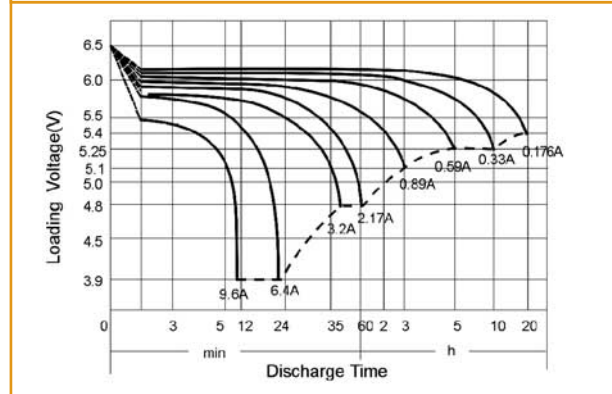
Physical Specification

Nominal Voltage		6V
Nominal Capacity (20HR)		3.2AH
Dimension	Length	134±1mm (5.27 inches)
	Width	34±1mm (1.34 inches)
	Container Height	60±1mm (2.36 inches)
	Total Height (with Terminal)	66±1mm (2.60 inches)
Weight		Approx 0.62kg (1.37lbs)
Standard Terminal		T1(standard)

Electrical Specification

Rated Capacity	20 hour rate (176mA)	3.5AH	Constant-Voltage	Cycle	Initial Charging Current less than 1.0A. Voltage 7.20V~7.50V at 25°C (77°F) Temp. Coefficient -15mV/C
	10 hour rate (330mA)	3.3AH			
	5 hour rate (590mA)	2.95AH			
	1 hour rate (2.17A)	2.17AH			
	15minute rate (6.86A)	1.71AH			
Capacity affected by Temperature	40°C (104°F)	103%	Charge	Standby	No limit on Initial Charging Current Voltage 6.75V~6.90V at 25°C(77°F) Temp. Coefficient -10mV/C
	25°C (77°F)	100%			
	0°C (32°F)	86%			

Discharge Characteristics (25°, 77°F)



Constant Current (Amp) and Constant Power (Watt) Discharge Table (25°, 77°F)

Time(minute) Final voltage/Cell	5	10	15	20	30	45	60	120	180	300	600	1200
Amp/Watt/Cell	1.3	1.3	1.3	1.3	1.6	1.6	1.67	1.7	1.75	1.75	1.75	1.8
A	14.00	9.98	6.68	5.60	4.03	2.80	2.17	1.23	0.89	0.59	0.33	0.176
W	25.06	18.76	13.06	10.96	7.91	5.57	4.31	2.44	1.77	1.19	0.66	0.352