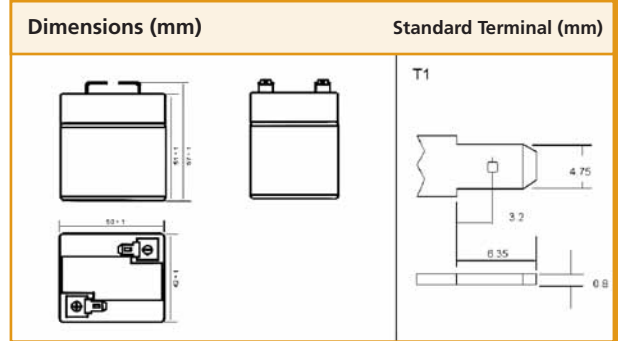
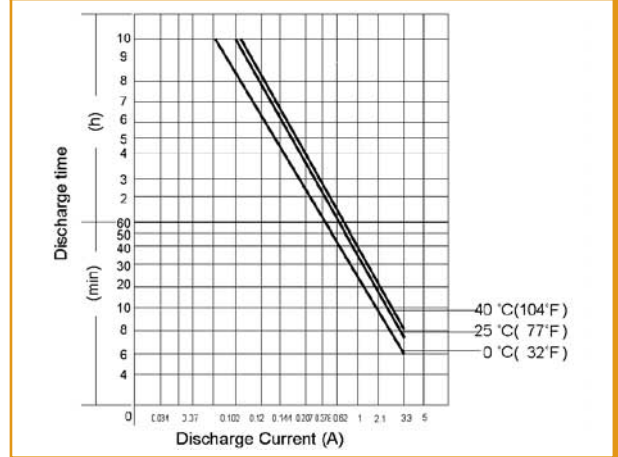




CT 1-6

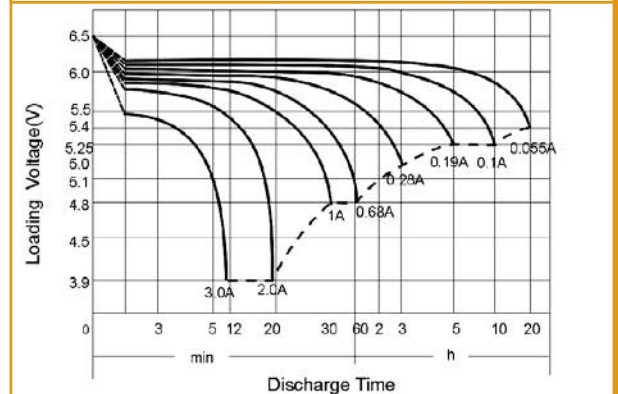


Discharging Current & Discharge Duration Time



Physical Specification		
Nominal Voltage		6V
Nominal Capacity (20HR)		1.0AH
Dimension	Length	50 ± 1mm (1.97 inches)
	Width	42 ± 1mm (1.65 inches)
	Container Height	51 ± 1mm (2.01 inches)
	Total Height (with Terminal)	57 ± 1mm (2.24 inches)
Weight		Approx 0.28kg (0.62lbs)
Standard Terminal		T1 (standard)

Discharge Characteristics (25°, 77°F)



Electrical Specification					
Rated Capacity	20 hour rate (55 mA)	1.1AH	Constant-Voltage	Cycle	Initial Charging Current less than 0.3A Voltage 7.20V- 7.50V at 25°C (77°F) Temp. Coefficient -15mV/C
	10 hour rate (100mA)	1AH			
	5 hour rate (190mA)	0.85AH			
	1 hour rate (680mA)	0.68AH			
	15minute rate (2.16A)	0.54AH			
Capacity affected by Temperature	40°C (104°F)	103%	Charge	Standby	No limit on Initial Charging Current Voltage 6.75V-6.90V at 25°C(77°F) Temp. Coefficient - 10mV/C
	25°C (77°F)	100%			
	0°C (32°F)	86%			

Constant Current (Amp) and Constant Power (Watt) Discharge Table (25°, 77°F)

Time(minute) Final voltage/Cell	5	10	15	20	30	45	60	120	180	300	600	1200
Amp/Watt/Cell	1.3	1.3	1.3	1.3	1.6	1.6	1.67	1.7	1.75	1.75	1.75	1.8
A	4.40	3.14	2.16	1.76	1.27	0.88	0.68	0.39	0.28	0.19	0.10	0.055
W	7.88	5.90	4.10	3.44	2.49	1.75	1.35	0.77	0.56	0.37	0.20	0.11