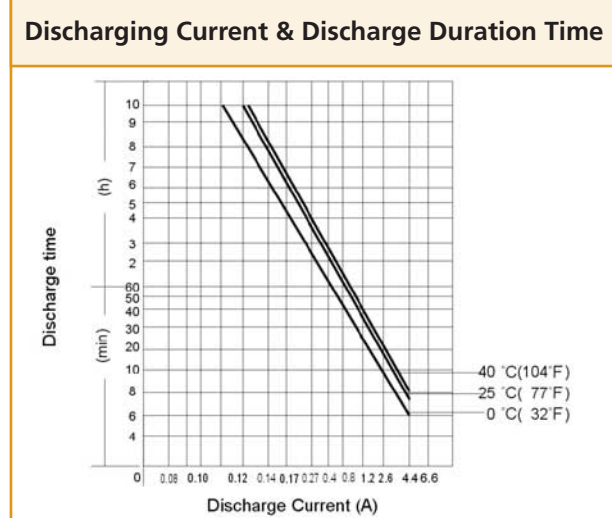
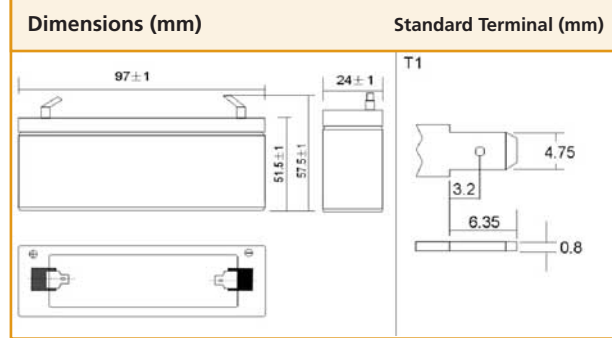
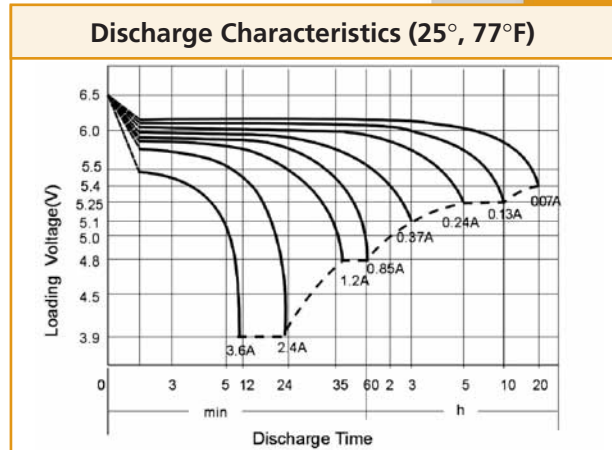




CT 1.3-6



| Physical Specification | | |
|-------------------------|------------------------------|--------------------------|
| Nominal Voltage | 6V | |
| Nominal Capacity (20HR) | 1.2AH | |
| Dimension | Length | 97 ± 1mm (3.82 inches) |
| | Width | 24 ± 1mm (0.94 inches) |
| | Container Height | 51.5 ± 1mm (2.03 inches) |
| | Total Height (with Terminal) | 57.5 ± 1mm (2.26 inches) |
| Weight | Approx 0.3kg (0.66lbs) | |
| Standard Terminal | T1(standard) | |



| Electrical Specification | | | | | |
|----------------------------------|-----------------------|--------|------------------|---------|---|
| Rated Capacity | 20 hour rate (70mA) | 1.4AH | Constant-Voltage | Cycle | Initial Charging Current less than 0.36A. Voltage 7.20V- 7.50V at 25°C (77°F) Temp. Coefficient -15mV/C |
| | 10 hour rate (130mA) | 1.3AH | | | |
| | 5 hour rate (240mA) | 1.2AH | | | |
| | 1 hour rate (850mA) | 0.85AH | | | |
| | 15minute rate (2.6 A) | 0.65AH | | | |
| Capacity affected by Temperature | 40°C (104°F) | 103% | Charge | Standby | No limit on Initial Charging Current Voltage 6.75V-6.90V at 25°C(77°F) Temp. Coefficient - 10mV/C |
| | 25°C (77°F) | 100% | | | |
| | 0°C (32°F) | 86% | | | |

| Constant Current (Amp) and Constant Power (Watt) Discharge Table (25°, 77°F) | | | | | | | | | | | | |
|--|-------|------|------|------|------|------|------|------|------|------|------|------|
| Time(minute) Final voltage/Cell | 5 | 10 | 15 | 20 | 30 | 45 | 60 | 120 | 180 | 300 | 600 | 1200 |
| Amp/Watt/Cell | 1.3 | 1.3 | 1.3 | 1.3 | 1.6 | 1.6 | 1.67 | 1.7 | 1.75 | 1.75 | 1.75 | 1.8 |
| A | 6.37 | 3.90 | 2.60 | 2.24 | 1.63 | 1.17 | 0.85 | 0.51 | 0.37 | 0.24 | 0.13 | 0.07 |
| W | 10.79 | 7.42 | 5.04 | 4.39 | 3.21 | 2.33 | 1.68 | 1.01 | 0.73 | 0.48 | 0.26 | 0.14 |