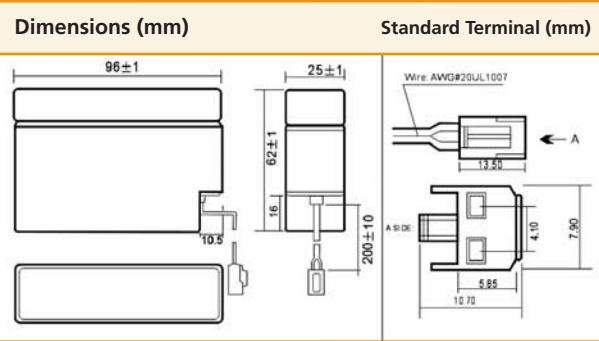
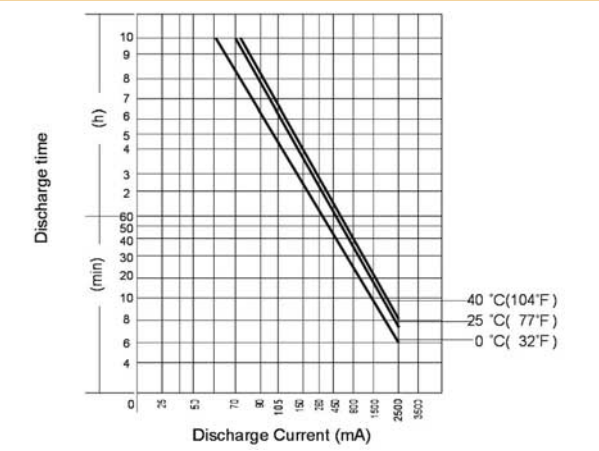




CT 0.8-12

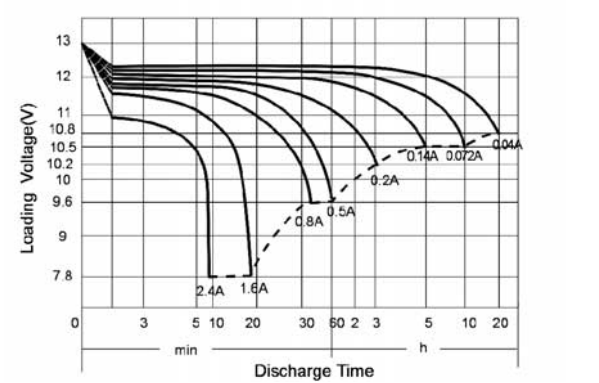


Discharging Current & Discharge Duration Time



| Physical Specification | | |
|-------------------------|---------------------------|-------------------------|
| Nominal Voltage | | 12V |
| Nominal Capacity (20HR) | | 0.8AH |
| Dimension | Length | 96 ± 1mm (3.78 inches) |
| | Width | 25 ± 1mm (0.98 inches) |
| | Container Height | 62 ± 1mm (2.44 inches) |
| | Total Height (with Cover) | 62 ± 1mm (2.44 inches) |
| Weight | | Approx 0.34kg (0.75lbs) |
| Standard Terminal | | / |

Discharge Characteristics (25°, 77°F)



| Electrical Specification | | | | | |
|----------------------------------|------------------------|--------|------------------|---------|--|
| Rated Capacity | 20 hour rate (40 mA) | 0.8AH | Constant-Voltage | Cycle | Initial Charging Current less than 0.24A Voltage 14.4V~ 15.0V at 25°C (77°F) Temp. Coefficient: -30mV/°C |
| | 10 hour rate (72 mA) | 0.72AH | | | |
| | 5 hour rate (0.14A) | 0.70AH | | | |
| | 1 hour rate (0.5A) | 0.5AH | | | |
| | 15 minute rate (1.57A) | 0.39AH | | | |
| Capacity affected by Temperature | 40°C (104°F) | 103% | Charge | Standby | No limit on Initial Charging Current Voltage 13.5V~13.8V at 25°C(77°F) Temp. Coefficient - 20mV/°C |
| | 25°C (77°F) | 100% | | | |
| | 0°C (32°F) | 88% | | | |

Constant Current (Amp) and Constant Power (Watt) Discharge Table (25°, 77°F)

| Time(minute) Final voltage/Cell | 5 | 10 | 15 | 20 | 30 | 45 | 60 | 120 | 180 | 300 | 600 | 1200 |
|---------------------------------|------|------|------|------|------|------|------|------|------|------|-------|------|
| Amp/Watt/Cell | 1.3 | 1.3 | 1.3 | 1.3 | 1.6 | 1.6 | 1.67 | 1.7 | 1.75 | 1.75 | 1.75 | 1.8 |
| A | 3.20 | 2.28 | 1.57 | 1.28 | 0.92 | 0.64 | 0.50 | 0.28 | 0.20 | 0.14 | 0.072 | 0.04 |
| W | 5.73 | 4.29 | 2.98 | 2.50 | 1.81 | 1.27 | 0.98 | 0.56 | 0.41 | 0.27 | 0.144 | 0.08 |