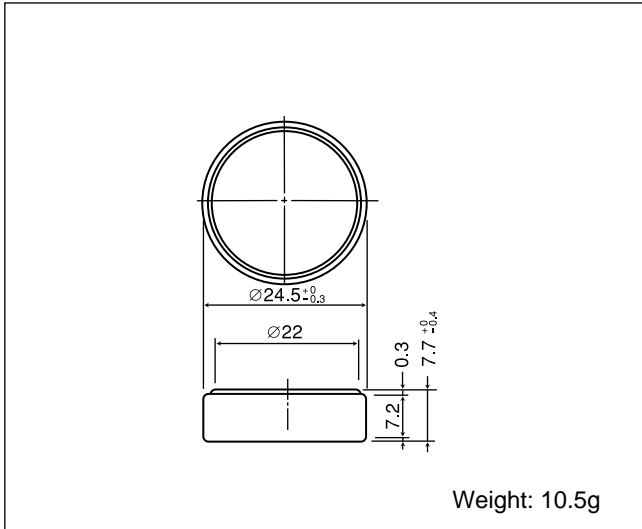


# CR2477

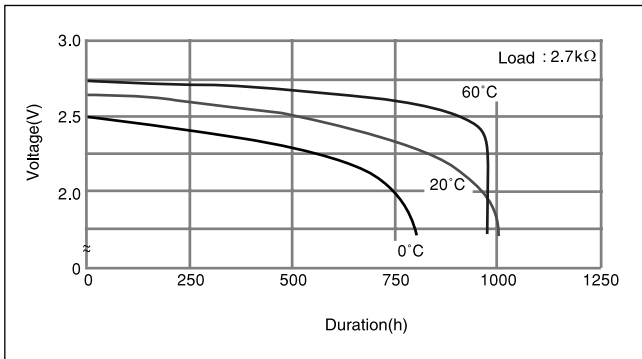
## ■ Dimensions(mm)



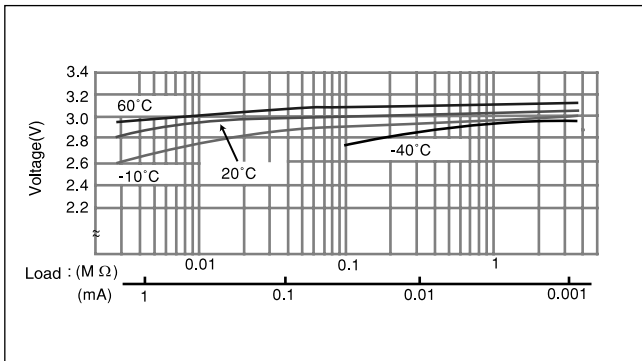
## ■ Specification

Nominal voltage(V)	3
Nominal capacity(mAh)	1,000
Continuous standard load(mA)	0.2
Operating temperature(°C)	-30 ~ +60

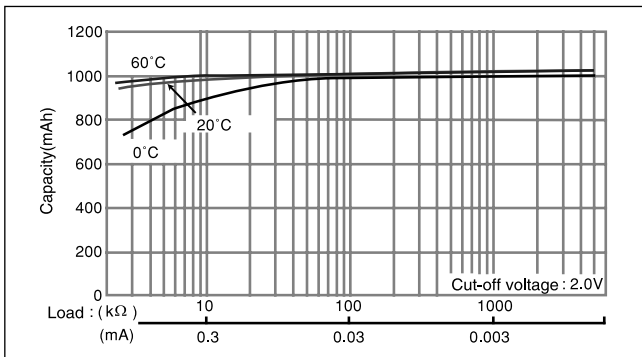
## ■ Temperature Characteristics



## ■ Operating voltage vs. load resistance(voltage at 50% discharge depth)

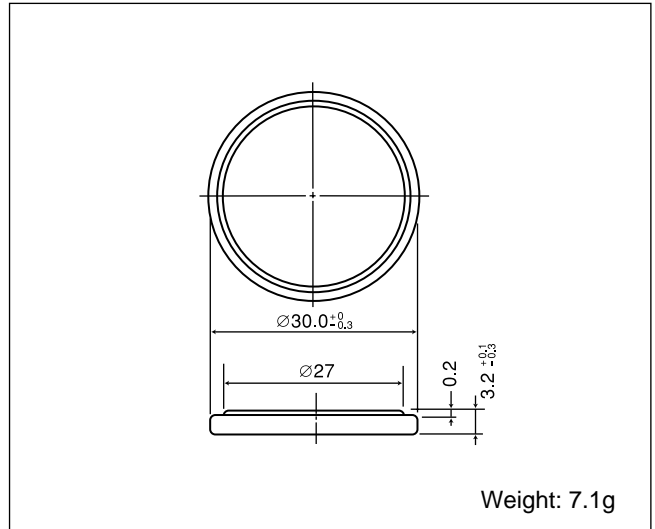


## ■ Capacity vs. load resistance



# CR3032

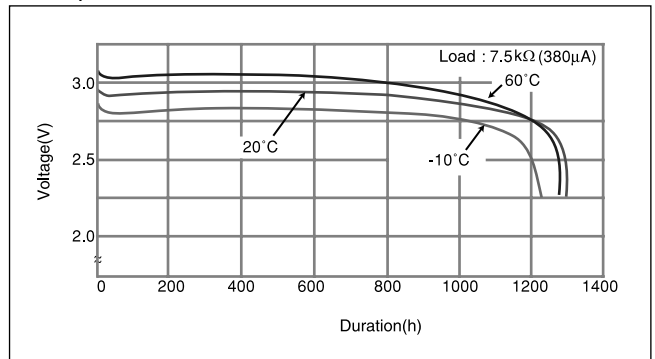
## ■ Dimensions(mm)



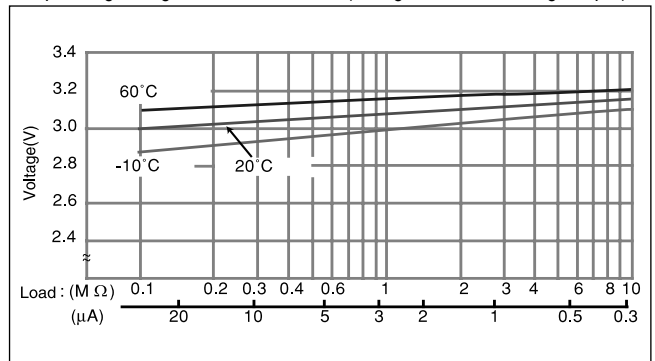
## ■ Specification

Nominal voltage(V)	3
Nominal capacity(mAh)	500
Continuous standard load(mA)	0.2
Operating temperature(°C)	-30 ~ +60

## ■ Temperature Characteristics



## ■ Operating voltage vs. load resistance(voltage at 50% discharge depth)



## ■ Capacity vs. load resistance

