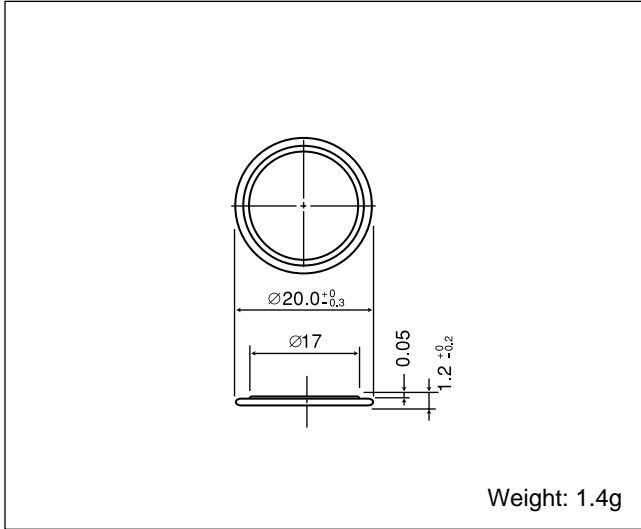


CR2012

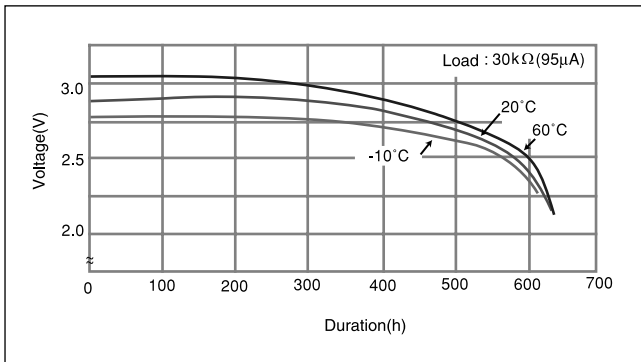
■ Dimensions(mm)



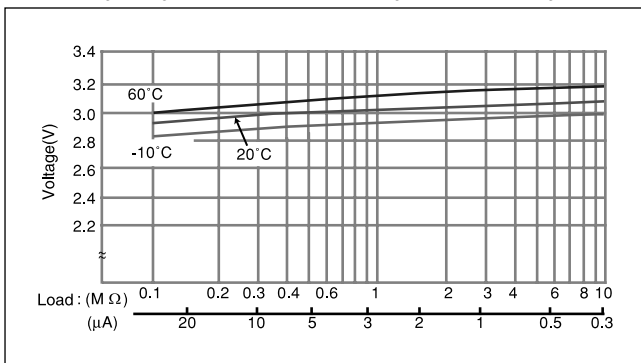
■ Specification

| | |
|------------------------------|-----------|
| Nominal voltage(V) | 3 |
| Nominal capacity(mAh) | 55 |
| Continuous standard load(mA) | 0.1 |
| Operating temperature(°C) | -30 ~ +60 |

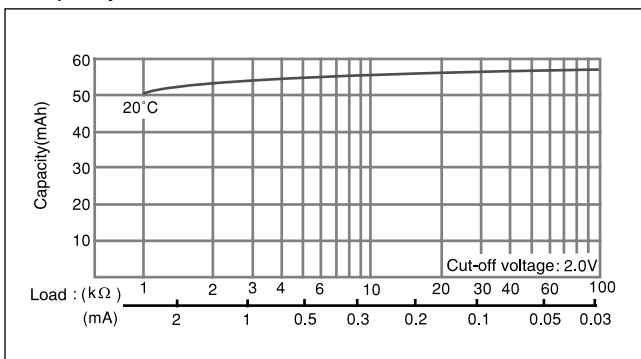
■ Temperature Characteristics



■ Operating voltage vs. load resistance(voltage at 50% discharge depth)

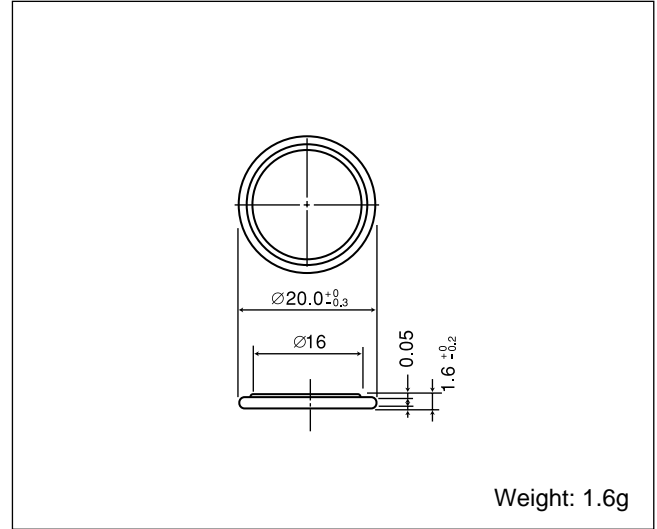


■ Capacity vs. load resistance



CR2016

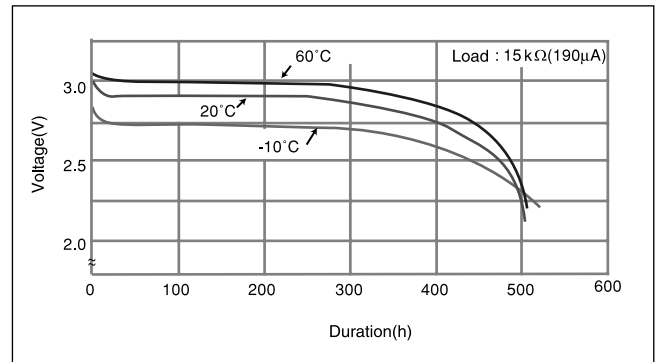
■ Dimensions(mm)



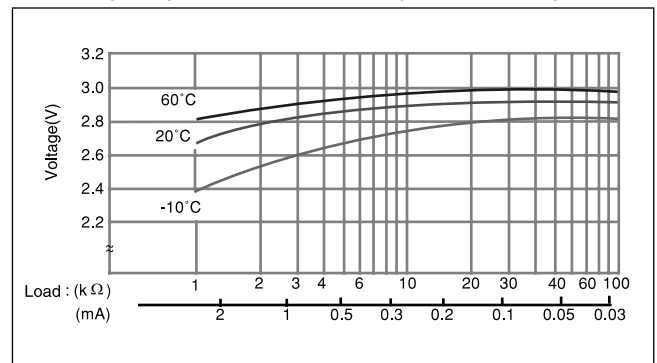
■ Specification

| | |
|------------------------------|-----------|
| Nominal voltage(V) | 3 |
| Nominal capacity(mAh) | 90 |
| Continuous standard load(mA) | 0.1 |
| Operating temperature(°C) | -30 ~ +60 |

■ Temperature Characteristics



■ Operating voltage vs. load resistance(voltage at 50% discharge depth)



■ Capacity vs. load resistance

