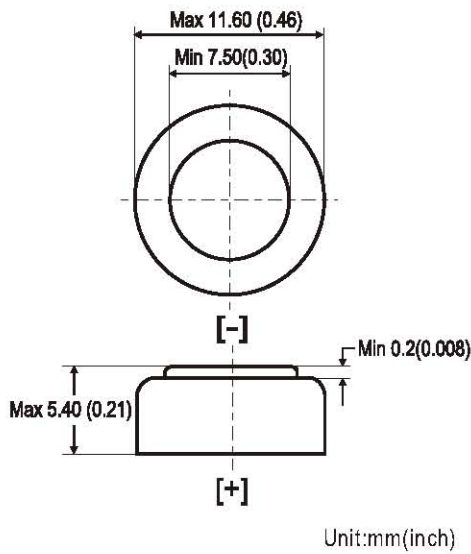


## ALKALINE BUTTON CELL

Document Title: PB0344

# LR44

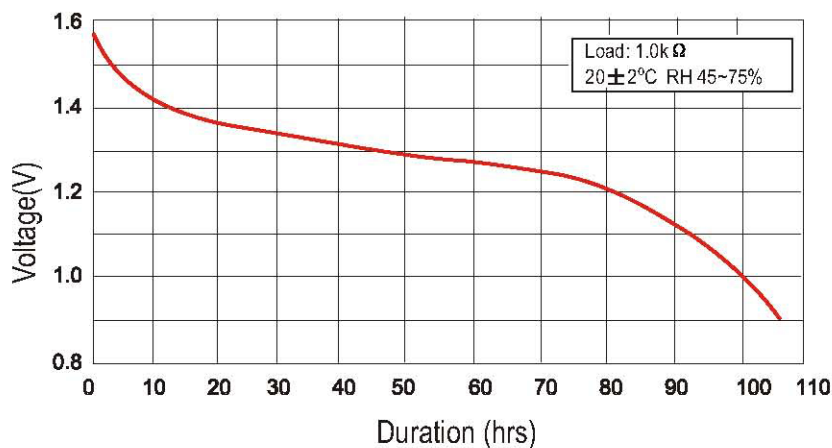


**Chemical System :** Primary Alkaline  
**Camelion No. :** LR 44(AG13)  
**IEC Name:** LR 44  
**ANSI/NEDA:** 1166A  
**Average Weight :** 1.9g  
**Dimension (∅ x H) :** 11.60x5.40 mm  
 (0.46 x0.21inch)  
**Negative Terminal :** Trimetal or steel gold plated  
**Positive Terminal:** Nickel plated steel  
**Nominal Voltage :** 1.5Volts  
**Nominal Service Capacity:** 138mAh  
 (20±2°C , Rated at 1.0KΩ to 0.9V)  
**Discharge Current:** 0~10.0mA  
**Cross Reference:** V13GA(Varta), RW82(Rayovac),  
 A76(Eveready),LR44(Maxcell),  
 357A(Other)

## Discharge Characteristic

Load Resistance	Cut Off Voltage	Discharge Pattern	Starting Drain	Duration
1.0kΩ	0.90V	24hrs/day	1.5mA	105hrs

### Discharge Curve



**Notice:**

This information is subject to change without prior notice and for reference only. It should not be used as a basis for a product guarantee or warranty. For additional information, please consult your nearest Camelion Sales Office or Distributor or visit our website at: [www.camelionbattery.com](http://www.camelionbattery.com).