

**Type** : Mercury and Lead Free Button Cell

**Chemical System** : Zinc/Manganese Dioxide

**Nominal Voltage** : 1.5V

**Nominal Dimension** :  $\Phi 11.6 \times 5.4$ mm

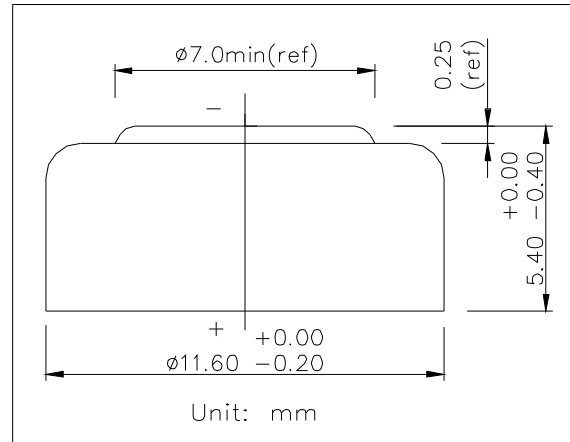
**Applications** : Calculator, hearing, lighter, camera,...etc.

**Average Weight** : 1.9g

**Date Code** : Unless otherwise specified, each cell will carry a numeric year code and an alphabetical month code.

**Close Voltage** **Circuit** : 1.3V(min.)(load resistor 100 $\Omega$  at 20 $^{\circ}$ C for 0.1 to 2 seconds)

**Model No.:** **GPA76F**



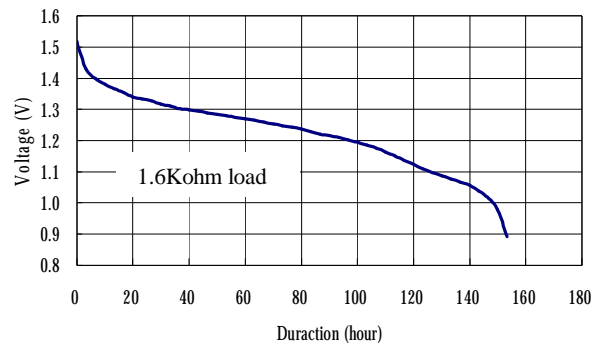
**Nominal Life** **Service** : 140hrs (load 1.6k $\Omega$  to cut off 1.0V under 20 $^{\circ}$ C)

**Average Capacity** **Service** : 110mAh (load 1.6k $\Omega$  to cut off 1.0V under 20 $^{\circ}$ C)

Cross References:

IEC	Maxell	Duracell	Others
LR44	LR44	PX76A	V13GA, AG13

Typical discharge curve when at 20  $\pm$  2  $^{\circ}$ C



Typical Discharge characteristics at 20  $\pm$  2  $^{\circ}$ C

The information (subject to change without prior notice) contained in this document is for reference only and should not be used as a basis for product guarantee or warranty. For applications other than those described here, please consult your nearest GP Sales and Marketing Office or Distributors.

BQS1051 rev.02

[www.gpbatteries.com](http://www.gpbatteries.com)

Manufacturer reserves the right to alter or amend the design, model and specification without prior notice.  
Copyright@GPI International Ltd. – All rights reserved

Member  
Gold Peak Group