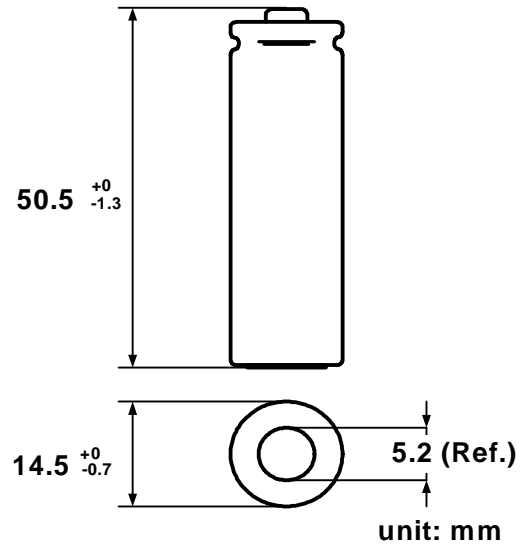
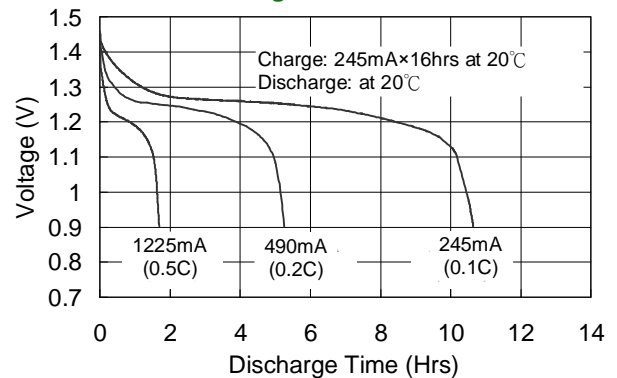


Model No.: GP250AAHC

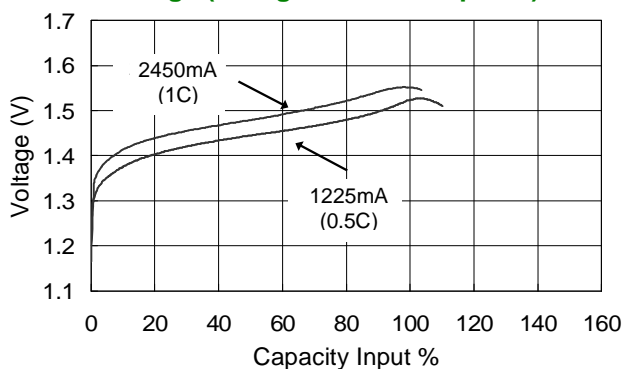
| | |
|--|--|
| Type | : Rechargeable Nickel Metal Hydride Cylindrical Cell |
| Nominal Dimension (with Sleeve) | : $\Phi = 14.5\text{mm}$ H = 50.5mm |
| Applications | : Recommended discharge current 245 to 7350mA |
| Nominal Voltage | : 1.2V |
| Capacity | : Nominal: 2450mAh Minimum: 2450mAh Typical: 2450mAh When discharged at 490mA to 1.0V at 20°C |
| Charging Condition | : 245mA for 16 hrs at 20°C |
| Charging Retention | : 60% of nominal capacity after cell storage at 20°C for 6months |
| Fast Charge | : 1225mA to 2450mA (0.5 to 1C) charge termination control recommended control parameters: - ΔV : 0-5mV DT/dt : 0.8°C/min (0.5 to 0.9C) 0.8 - 1°C/min (1C) TCO : 45 - 50°C Timer : 100% nominal input (for ref. only) |
| Service Life | : >500 cycles (IEC standard) |
| Continuous Overcharge | : 245mA maximum current for 1 year. No conspicuous deformation and/or leakage |
| Weight | : 31.0g |
| Internal Resistance | : Average 20m Ω upon fully charged (Range 14 - 28m Ω) at 1000Hz |
| Max. Charging Voltage | : 1.5V at 245mA charging |
| Ambient Temperature Range | : Standard Charge : 0 to 45°C Fast Charging : 10 to 45°C Discharge : -20 to 50°C Storage : -20 to 35°C |



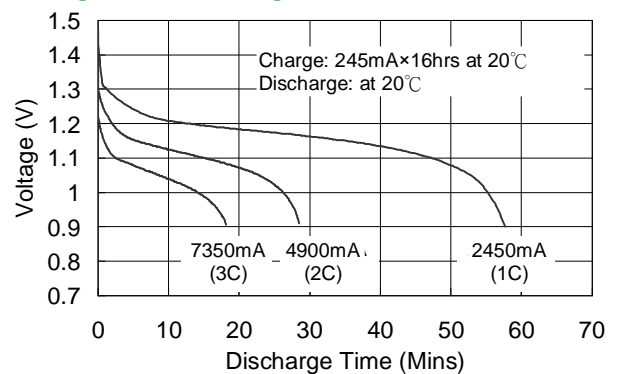
Low Rate Discharge



Fast Charge (Charge Control Required)



High Rate Discharge



The information (subject to change without prior notice) contained in this document is for reference only and should not be used as a basis for product guarantee or warranty. For applications other than those described here, please consult your nearest GP Sales and Marketing Office or Distributors.